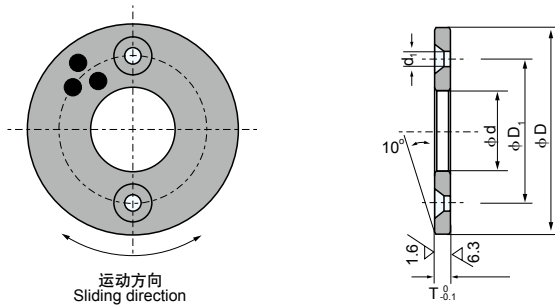


SE-500C 自润滑止推垫片标准公制尺寸 SE-500C Self-lubricating Thrust Washer Standard Metric Size



单位Unit: mm

型号规格 Standard No.	φ d	φ D	T ⁰ _{-0.10}	螺孔 Bolt Hole			
				φ D ₁	平头螺钉 Crop Bolt	φ d ₁	孔数 Bore Number
SE-500C-10	10.2	30	3	20	M3	3.5	2
SE-500C-12	12.2	40		28			
SE-500C-13	13.2						
SE-500C-14	14.2						
SE-500C-15	15.2	50	5	35	M5	6	
SE-500C-16	16.2						
SE-500C-18	18.2						
SE-500C-20	20.2						
SE-500C-25	25.2	55	7	40	M6	7	
SE-500C-30	30.2	60					
SE-500C-35	35.2	70					
SE-500C-40	40.2	80					
SE-500C-45	45.3	90	8	75	M6	7	
SE-500C-50	50.3	100					
SE-500C-55	55.3	110					
SE-500C-60	60.3	120					
SE-500C-65	65.3	125	10	95	M8	9	
SE-500C-70	70.3	130					
SE-500C-75	75.3	140					
SE-500C-80	80.3	150					
SE-500C-90	90.5	170	10	140	M10	11	
SE-500C-100	100.5	190					
SE-500C-120	120.5	200					