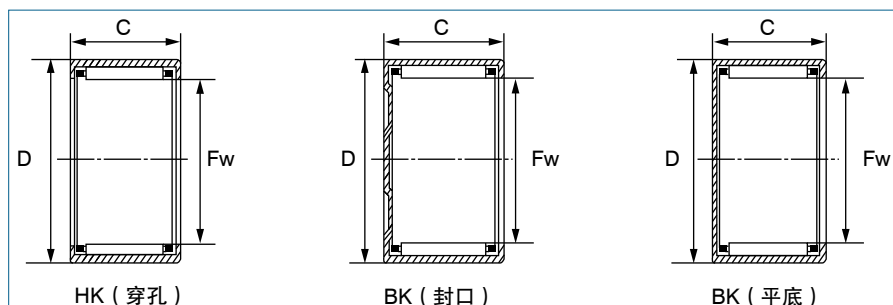
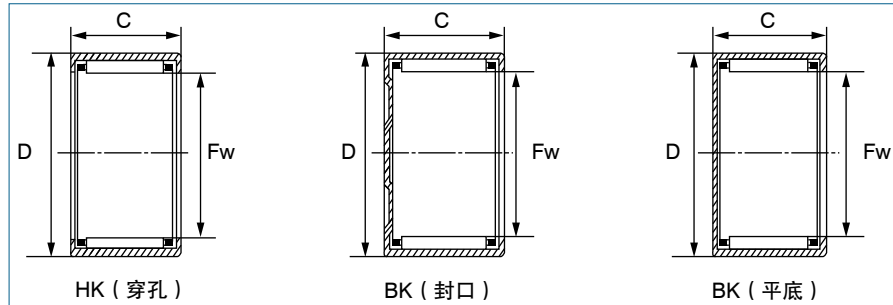


SE-GZ 冲压外圈滚针轴承 SE-GZ Drawn Cup Needle Roller Bearings



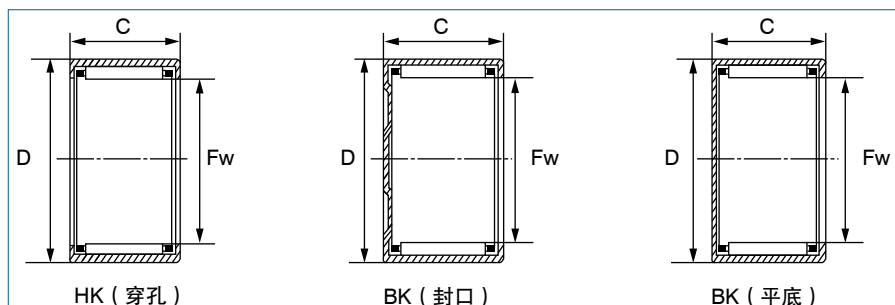
轴径 Shaft Diameter	轴承型号 Bearing Designation		重量 Mass 近似 Approx	外形尺寸 Boundary Dimensions			额定负荷 Basic Load Rating		极限转速 Limiting Speed 油润滑 Oil
	现型号 Current Code	原型号 Original Code		Fw	D	C	动 Dynamic	静 Static	
	mm			g	mm			N	
3	HK0306TN			3	6.5	6	1320	950	6000
	BK0306TN			3	6.5	6	1320	950	6000
4	HK0408TN	37941/4	1.6	4	8	8	1540	1070	40000
	BK0408TN	5941/4	1.8	4	8	8	1540	1070	40000
5	HK0509TN			5	11	9	2200	1790	36000
	HK0509	47941/5	2	5	9	9	2200	1790	36000
	BK0509	45941/5	2.1	5	9	9	2200	1790	36000
	HK0510			5	9	10			
6	HK0606			6	10	6			
	HK0607	27941/6	1.8	6	10	7	1600	1400	30000
	HK0608	37941/6	2.1	6	10	8	1830	1550	32000
	BK0608	35941/6	2.2	6	10	8	1830	1550	32000
	HK0609	47941/6	2.2	6	10	9	2650	2400	30000
	BK0609	45941/6	2.6	6	10	9	2650	2400	30000
	HK0611		2.3	6	10	11	1700	1500	29000
	HK06X12X8	3941/6	2.5	6	12	8	2230	2010	33000
7	HK0708			7	11	8	2800	2150	27000
	HK0709	47941/9	2.3	7	11	9	2800	2150	27000
	BK0709	45941/9	2.9	7	11	9	2800	2150	27000
	HK0712			7	11	12			
	HK07X12X08		2.2	7	12	8	3300	3220	37000
	HK07X12X09		2.4	7	12	9	3400	3150	37000
8	HK0808	37941/8	2.7	8	12	8	2550	2400	21000
	HK0808TN			8	12	8			
	BK0808	35941/8	3	8	12	8	2550	2400	21000
	HK0810	57941/8	3	8	12	10	3700	3450	21000
	BK0810	88941/8	3.4	8	12	10	3700	3450	21000
	HK0812	67941/8		8	12	12			
	HK08X14X10	27942/8	5.35	8	14	10	3800	3950	25000
	BK08X14X10	25942/8	5.8	8	14	10	3800	3950	25000
	HK08X14X12	37942/8	6.6	8	14	12	4100	4320	25000
9	HK0908	37941/9	3	9	13	8	3650	4050	25000
	BK0908	35941/9	3.4	9	13	8	3650	4050	25000
	HK0910	57941/9	4	9	13	10	4050	4250	25000
	BK0910	55941/9	4.3	9	13	10	4050	4250	25000
	HK0911		4.1	9	13	11	4300	4700	25000
	HK0912	67941/9	4.6	9	13	12	5000	6000	25000
	BK0912	65941/9	4.9	9	13	12	5000	6000	25000
	HK09X15X10	27942/9	5.6	9	15	10	5300	6300	25000

SE-GZ 冲压外圈滚针轴承 SE-GZ Drawn Cup Needle Roller Bearings



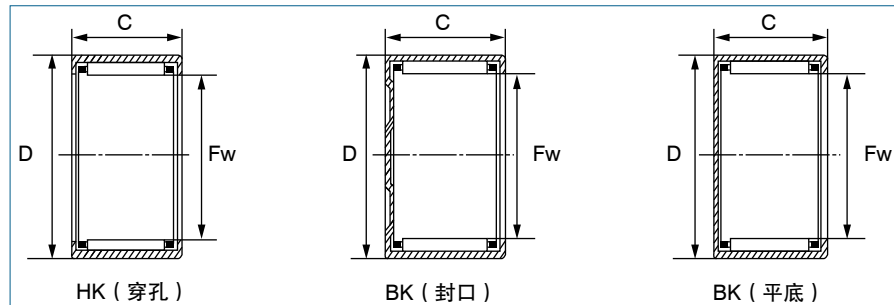
轴径 Shaft Diameter	轴承型号 Bearing Designation		重量 Mass 近似 Approx	外形尺寸 Boundary Dimensions			额定负荷 Basic Load Rating		极限转速 Limiting Speed 油润滑 Oil
	现型号 Current Code	原型号 Original Code		Fw	D	C	动 Dynamic	静 Static	
mm			g	mm			N		rpm
10	HK10X13X08		3.5	10	13	8	4100	4800	20000
	HK1010	57941/10	4.1	10	14	10	3900	4800	19000
	BK1010	55941/10	4.3	10	14	10	3900	4800	19000
	HK1012	67941/10	4.8	10	14	12	5000	6300	19000
	BK1012	65941/10	5	10	14	12	5000	6300	19000
	HK1015		6	10	14	15	6700	7800	19000
	BK1015		6.2	10	14	15	6700	7800	19000
	HK10X15X15	644900	6.5	10	15	15	6800	8800	18000
	HK10X16X10		6.5	10	16	10	6800	8800	18000
	BK10X16X10		6.8	10	16	10	6800	8800	18000
	HK10X16X12	DB1012	7.5	10	16	12	6800	8800	18000
	HK10X16X15	7942/10	11	10	16	15	6800	8800	19000
	HK10X17X15		11.5	10	17	15	7200	8000	19000
HK10X18X12		8.5	10	18	12	7200	8000	19000	
12	HK1208	37941/12	3.3	12	16	8	7200	8000	19000
	HK1210	57941/12	4.6	12	16	10	4150	5800	19000
	BK1210	55941/12	5.2	12	16	10	4150	5800	19000
	HK1212	67941/12	5.6	12	18	12	3800	5100	15000
	BK1212	65941/12	6.2	12	16	12	3800	5100	15000
	HK12X17X12	7941/12	7.5	12	17	12	5100	7000	15000
	HK12X17X15	7942/12	9.5	12	17	15	5100	7000	15000
	HK12X17X18	7943/12	11	12	17	18	5100	7000	15000
	HK12X18X12	37942/12	9.1	12	18	12	5500	6300	17000
	BK12X18X12	35942/12K	10.3	12	18	12	5500	6300	17000
	HK12X18X14	67942/12	10.6	12	18	14	6500	6300	15000
HK12X19X12		10	12	19	12	6800	7400	15000	
13	HK1311		8.5	13	19	11	6300	6300	14000
	HK1312		8.9	13	19	12	6200	7100	17000
	BK1312		11.2	13	19	12	6200	7100	17000
13.5	HK13.5X19X12			13.5	19	12	6200	7100	16000
	HK13.5X20X12	7941/13.5	10.8	13.5	20	12	6250	7590	16000
14	HK1410	27941/14	8.3	14	20	10	6700	7000	16000
	BK1410	35941/14	12.1	14	20	10	6700	7000	16000
	HK1412	37941/14	10.5	14	20	12	6800	7500	16000
	HK1416	57941/14	13.9	14	20	16	7300	9000	14000
	HK1418			14	20	18	7300	9000	14000
15	HK15X20X12	7941/15	8.4	15	20	12	5800	6000	14000
	HK15X20X16	7942/15	11.4	15	20	16	6000	6200	14000
	HK15X20X20	7943/15	13.8	15	20	20	6100	6400	14000

SE-GZ 冲压外圈滚针轴承 SE-GZ Drawn Cup Needle Roller Bearings



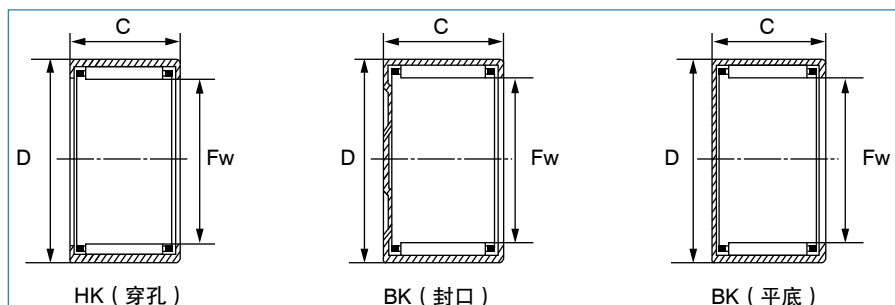
轴径 Shaft Diameter	轴承型号 Bearing Designation		重量 Mass 近似 Approx	外形尺寸 Boundary Dimensions			额定负荷 Basic Load Rating		极限转速 Limiting Speed 润滑油 Oil
	现型号 Current Code	原型号 Original Code		Fw	D	C	动 Dynamic	静 Static	
	mm			g	mm			N	
15	HK1512	37941/15	11.1	15	21	12	7000	8400	14000
	BK1512	35941/15	12.7	15	21	12	7000	8400	14000
	HK1514	47941/15	12.7	15	21	14	8500	10400	13000
	HK1515		14.2	15	21	15	9100	11400	13000
	BK1515			15	21	15	9800	11400	14000
	TA1515			15	22	15		11400	
	TA1515Z			15	22	15		11400	
	HMK1515			15	22	15			
	HK1516	57941/15	15	15	21	16	9800	11400	14000
	BK1516	55941/15	16.5	15	21	16	9800	11400	14000
	HK1518			15	21	18			
	HK1520			15	21	20			
	HMK1520			15	22	20			
	HK1522	SZ-439	20.4	15	21	22	10400	16500	14000
BK1522		22	15	21	22	10400	16500	14000	
HK15X22X12	7948/15	12.5	15	22	12	14300	18400	13000	
HK15X22X12.5	7948/15K	13.5	15	22	12.5	14300	18400	13000	
16	HK16X21X06		5.5	16	21	6	4200	5300	12000
	HK16X21X09		7.5	16	21	9	4400	5600	12000
	HK1610	27941/16		16	22	10			
	HK1612	37941/16	11.7	16	22	12	7100	9200	14000
	BK1612	35941/16	13.8	16	22	12	7100	9200	14000
	HK1612K			16	22	12			
	HK1614	47941/16	14.4	16	22	14	8800	9900	12000
	HK1616	57941/16	15.8	16	22	16	10100	14300	14000
	BK1616	55941/16	17.6	16	22	16	10100	14300	14000
	HK1616-ASI			16	22	16			
	HK1617	SZ-435	18	16	22	17	12900	17200	12000
	HK1620	77941/20		16	22	20			
	HK1622	87941/16	21.7	16	22	22	11100	17400	14000
	BK1622	85941/16	23.4	16	22	22	11100	17400	14000
17	HK17X21.5X15	17BTM15	10	17	21.5	15	6300	8600	11000
	HK1712	37941/17	12.2	17	23	12	6900	9300	13000
	BK1712	35941/17	14.5	17	23	12	6900	9300	13000
	HK1714	7941/17	14	17	23	14	6800	10200	10000
	HK1716	57941/17	15.9	17	23	16	8500	12500	10000
	BK1716			17	23	16	8500	12500	10000
	HK1718	7942/17	19	17	23	18	9500	10600	10000
HK1720			17	23	20	10000	11800	10000	

SE-GZ 冲压外圈滚针轴承 SE-GZ Drawn Cup Needle Roller Bearings



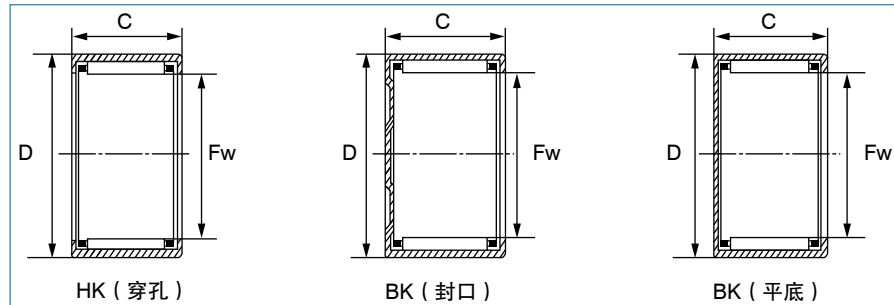
轴径 Shaft Diameter	轴承型号 Bearing Designation		重量 Mass 近似 Approx	外形尺寸 Boundary Dimensions			额定负荷 Basic Load Rating		极限转速 Limiting Speed 油润滑 Oil
	现型号 Current Code	原型号 Original Code		Fw	D	C	动 Dynamic	静 Static	
mm			g	mm			N		rpm
17	HK1722	7943/17	17	17	23	22			
	HK17X24X15		17	17	24	15	11200	12800	10000
	HK17X25X14	37942/17K	17.7	17	25	14	13100	14700	10000
	HK17X25X15.5		20	17	25	15.5	9320	10400	10000
	HK17X25X18	57942/17K	23.5	17	25	18	9500	10600	11000
18	HK1812	37941/18	13.1	18	24	12	7100	9900	12000
	BK1812	35941/18	14.9	18	24	12	7100	9900	12000
	HK1816	57941/18	17.5	18	24	16	10600	15300	12000
	BK1816	55941/18	19.9	18	24	16	10600	15300	12000
	HK18X24X20		18	18	24	20			
	HMK1825			18	25	25			
19	HK19X27X16	TA1916	23	19	27	16	8100	9500	10500
20	HK2010	27941/20	11.8	20	26	10	5900	7200	10000
	BK2010	25941/20	14	20	26	10	5900	7200	10000
	HK2011		12	20	26	11	7500	9200	9000
	HK2012	37941/20	14.1	20	26	12	7600	10100	10000
	BK2012	35941/20	16.7	20	26	12	7600	10100	10000
	HK2014	47941/20	15.7	20	26	14	9700	18100	9000
	HK2016	57941/20	19.3	20	26	16	11700	29100	10000
	BK2016	55941/20	22.3	20	26	16	11700	29100	10000
	HK2018	67941/20	23.3	20	26	18	7900	12800	9000
	HK2020	7942/20	24.1	20	26	20	13700	24000	10000
	BK2020	75941/20	27.1	20	26	20	13700	24000	10000
	HK2025	7943/20	28	20	26	25	9100	14800	9900
	HK2030		41	20	26	30	21800	40000	10100
	BK2030		43	20	26	30	21800	40000	10100
	HK20X27X18			20	27	18	26000	47200	9900
	HK20X27X20			20	27	20	26300	47800	9900
	HK20X27X30			20	27	30	28500	48800	9900
HK20X28X16	47942/20	28.5	20	28	16	29600	49800	9900	
HK20X29X18		41	20	29	18	30900	54600	9900	
22	HK22X28X7.5TN		8.8	22	28	7.5	5200	7000	10100
	HK2210	27941/22	12.3	22	28	10	7200	9500	10100
	HK2212	37941/22	15	22	28	12	8100	10400	10100
	BK2212	35941/22	18.1	22	28	12	8100	10400	10100
	HK2216	57941/22	20.9	22	28	16	11400	18100	10100
	BK2216	55941/22	24.3	22	28	16	11400	18100	10100
	HK2220	77941/22	26.2	22	28	20	14500	25000	10100
	BK2220	75941/22	29.9	22	28	20	14500	25000	10100

SE-GZ 冲压外圈滚针轴承 SE-GZ Drawn Cup Needle Roller Bearings



轴径 Shaft Diameter	轴承型号 Bearing Designation		重量 Mass 近似 Approx	外形尺寸 Boundary Dimensions			额定负荷 Basic Load Rating		极限转速 Limiting Speed 润滑油 Oil
	现型号 Current Code	原型号 Original Code		Fw	D	C	动 Dynamic	静 Static	
	mm	g		mm			N		
22	HMK2225			22	29	25			
	HK2230		32	22	28	30	17500	30400	9000
	HK22X29X25		37	22	29	25	18100	31500	9000
	HK22X25X30		43	22	29	30	19400	33100	9000
	HK22X30X14	37942/22	21.9	22	30	14	19800	34000	9000
24	HK24X30X7.5TN		10.6	24	30	7.5	5800	7200	10000
25	HK2512	27941/25	20	25	32	12	10000	14200	9000
	BK2512	25941/25	23.2	25	32	12	10000	14200	9000
	HK2514	37941/25	21.9	25	32	14	13600	18700	9000
	HK2516	7941/25	27.3	25	32	16	13600	20000	9000
	BK2516	5941/25	31	25	32	16	13600	50000	9000
	HK2518	57941/25	28.2	25	32	18	17500	25800	9000
	HK2520	67941/25	34.1	25	32	20	17900	30000	9000
	BK2520	65941/25	38.7	25	32	20	17900	30000	9000
	HK2525	7943/25	40	25	32	25	22200	36700	9000
	HK2526		44.8	25	32	26	22500	42000	9000
	BK2526		49	25	32	26	22500	42000	9000
	HK2538	87941/25	64.7	25	32	38	30000	58000	9000
	BK2538	85941/25	69	25	32	38	30000	58000	9000
	HK25X33X10		17	25	33	10	34800	69600	9000
	HK25X33X15		27.4	25	33	15	35700	70000	9000
HK25X35X20	57942/25	44.9	25	35	20	36100	78650	9000	
28	HK2812			28	35	12			
	HK2816	47941/28	30.1	28	35	16	15400	22500	8700
	BK2816	45941/28	34.1	28	35	16	15400	22500	8700
	HK2818	57941/28	31.7	28	35	18	18500	29300	8700
	HK2820	67941/28	37.6	28	35	20	18900	32000	8700
	BK2820	65941/28	43	28	35	20	18900	32000	8700
	HK2825			28	35	25			
	HK2830			28	35	30			
30	HK3012	27941/30	24	30	37	12	10100	16200	8100
	BK3012	25941/30	27.9	30	37	12	10100	16200	8100
	HK3016	47941/30	32	30	37	16	15200	27000	8100
	BK3016	45941/30	37.1	30	37	16	15200	27000	8100
	HK3018	57941/30	33.6	30	37	18	19200	31500	8100
	HK3020	67941/30	40.1	30	37	20	19700	33500	8100
	BK3020	65941/30	46.5	30	37	20	19700	33500	8100
	HK3020-K			30	37	20			

SE-GZ 冲压外圈滚针轴承 SE-GZ Drawn Cup Needle Roller Bearings



轴径 Shaft Diameter	轴承型号 Bearing Designation		重量 Mass 近似 Approx	外形尺寸 Boundary Dimensions			额定负荷 Basic Load Rating		极限转速 Limiting Speed 油润滑 Oil	
	现型号 Current Code	原型号 Original Code		Fw	D	C	动 Dynamic	静 Static		
mm			g	mm			N		rpm	
30	HMK3020			30	40	20				
	HK3024			30	37	24				
	HMK3025			30	40	25				
	HK3026			52.9	30	37	26	24000	50000	8100
	BK3026			59.4	30	37	26	24000	50000	8100
	HK3030				30	37	30			
	HMK3030				30	40	30			
	HK3038			76.1	30	37	38	32500	74000	8100
	BK3038			82.5	30	37	38	32500	74000	8100
	HK30X38X12	27941/30K		28	30	38	12	38100	80000	8100
	HK30X38X16	7941/30		32.7	30	38	16	39000	82000	8100
	HK30X38X24	7942/30		49	30	38	24	39910	88800	8100
HK30X38X32	7943/30		69	30	38	32	38890	88700	8100	
32	HK32X38X11		17	32	38	11	19700	43200	7800	
	HMK3220			32	42	20				
	HK3224	77941/32	50.7	32	38	24	25500	52000	7300	
	HK3232	97941/32	66.4	32	39	32	22600	54300	7100	
	HK32X19X16			32	19	16				
	HK32X40X32	7943/32	72.7	32	39	32	27990	59890	7100	
HK32X41X16				32	41	16				
35	HK3512	27941/35	27.7	35	40	12	12100	19300	7100	
	BK3512	25941/35	32.9	35	42	12	12100	19300	7100	
	HK3516	47941/35	36.9	35	42	16	15700	27500	7100	
	BK3516	45941/35	43.8	35	42	16	15700	27500	7100	
	HK3520	67941/35	46.1	35	42	20	20800	41000	7100	
	BK3520	65941/35	54.8	35	42	20	20800	41000	7100	
	HK3520/ASI			35	42	20				
	HK3524			35	42	24				
	BK3530			35	42	30				
	HK3530			35	42	30				
	HMK3520			35	45	20				
	HMK3525			35	45	25				
	HMK3530			35	45	30				
	HK35X42X16	7941/35	37	35	42	16	24200	47100	7100	
	HK35X43X25	7942/35	60.5	35	43	25	24440	48200	6200	
	HK35X43X32	7943/35	80	35	43	32	24870	48880	6200	
HK35X45X12		31	35	45	12	24870	48880	6200		
36	HK36X42X12		23	36	42	12	15000	21000	6200	
38	HK3818			38	45	18				